

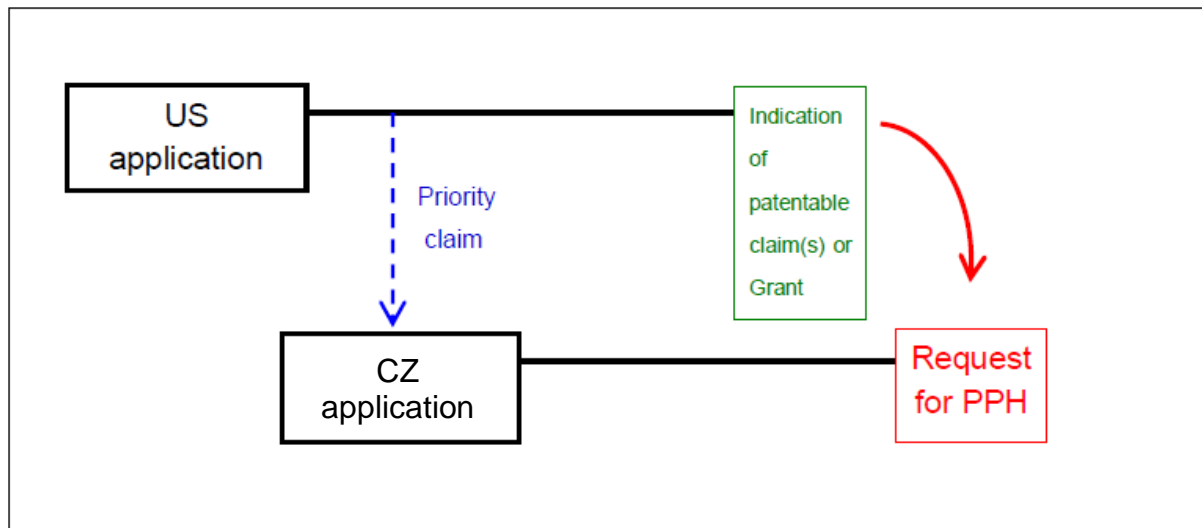
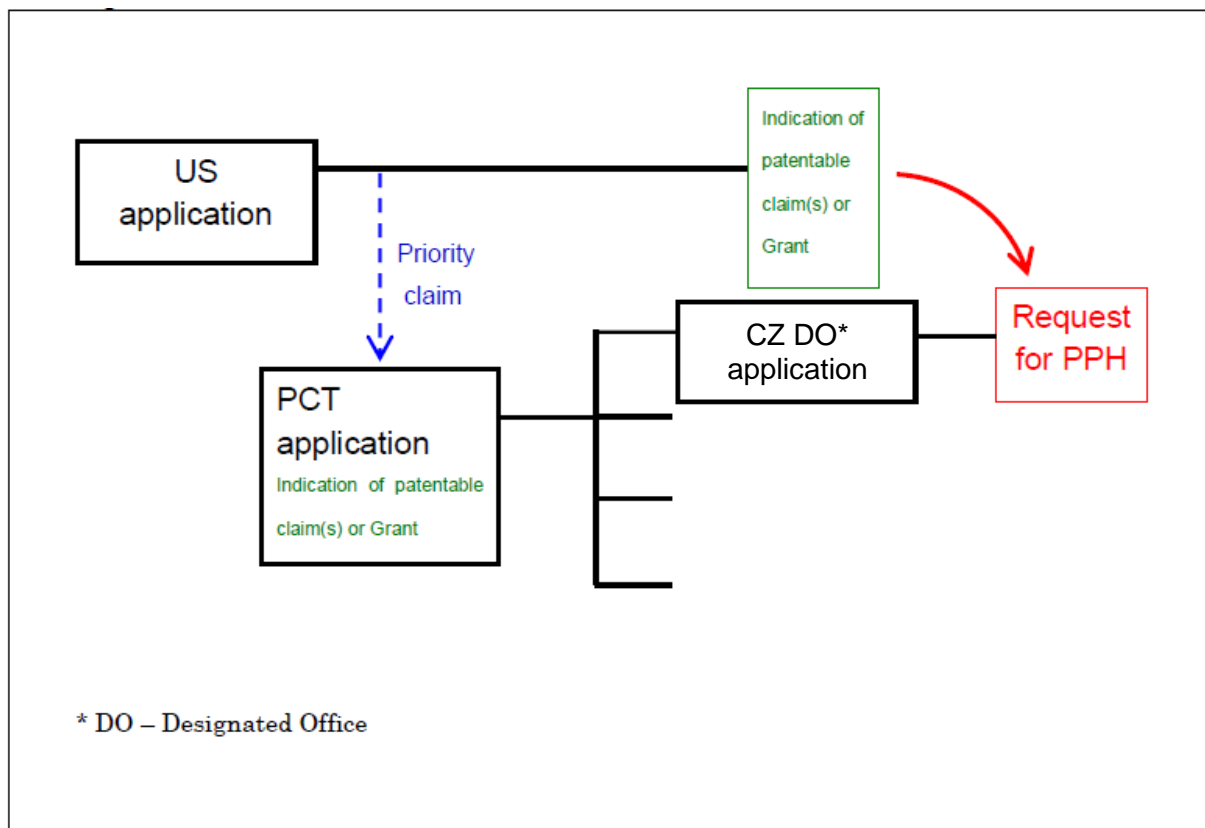
Examples of IPO-CZ applications eligible for the PPH**Figure A:****Figure B:**

Figure C:

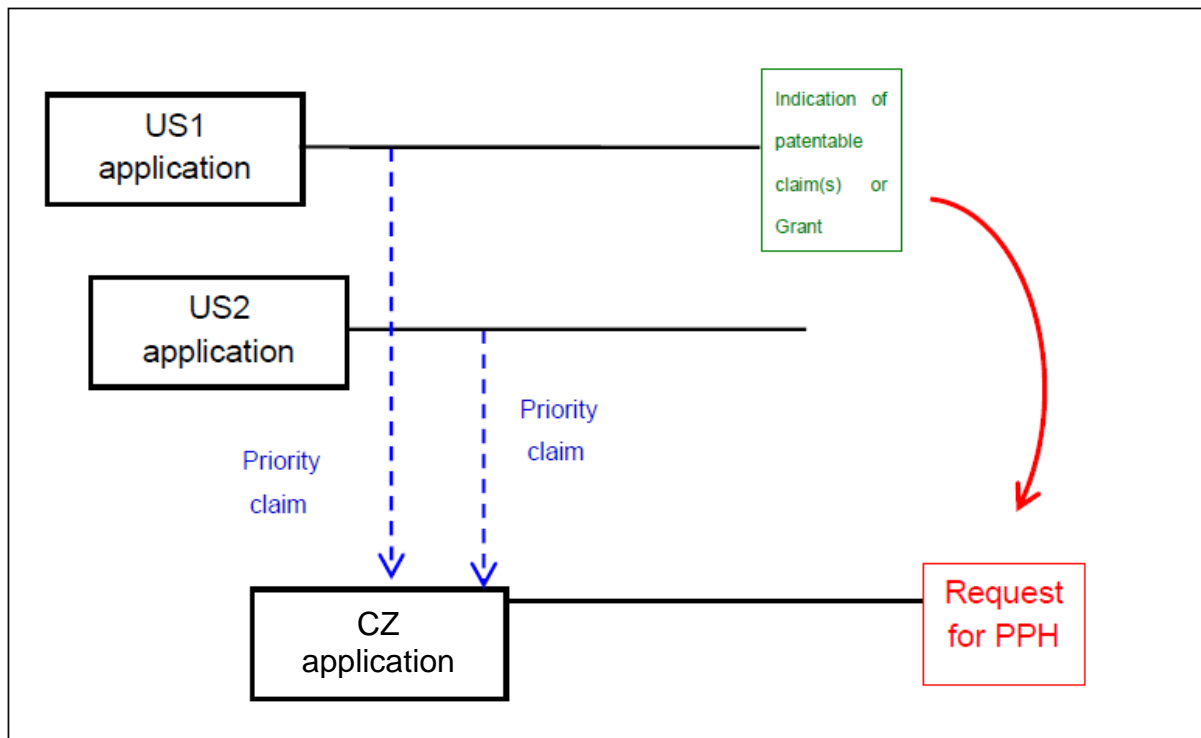


Figure D:

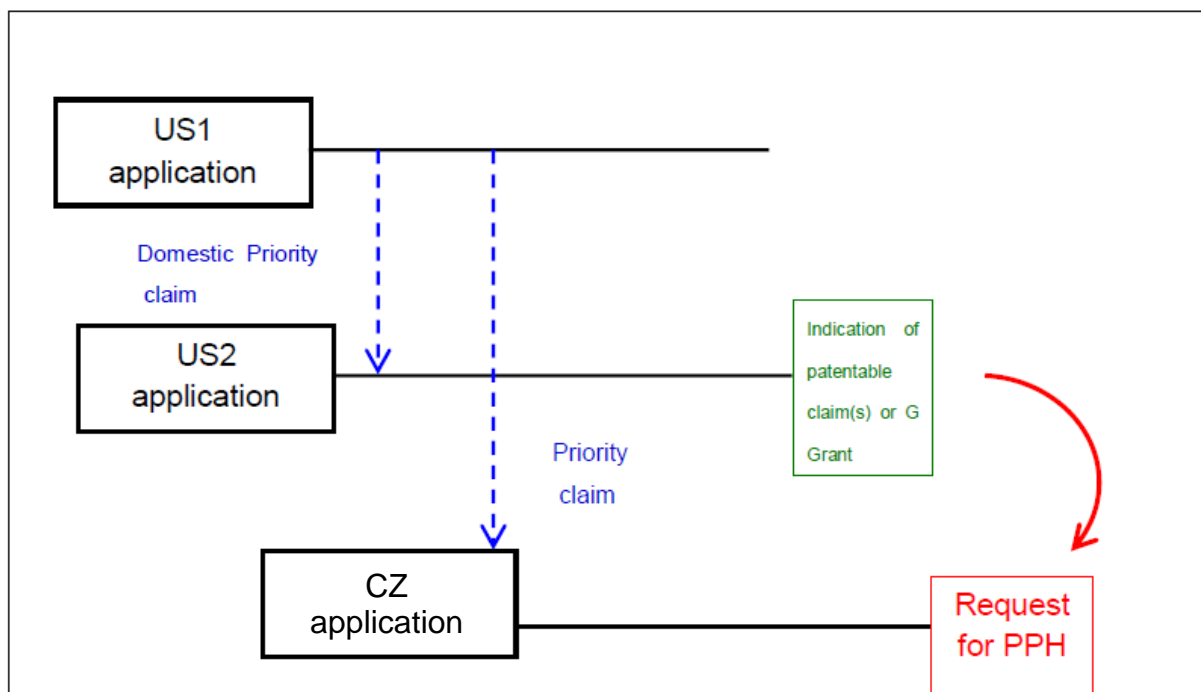


Figure E:

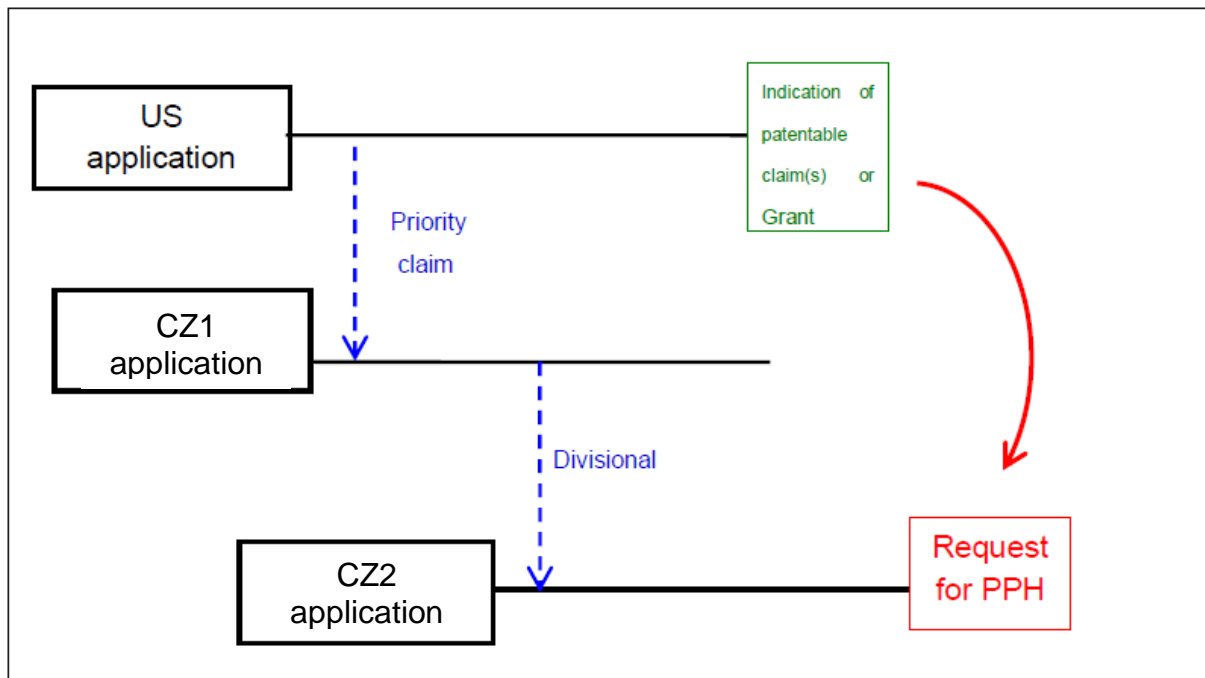


Figure F:

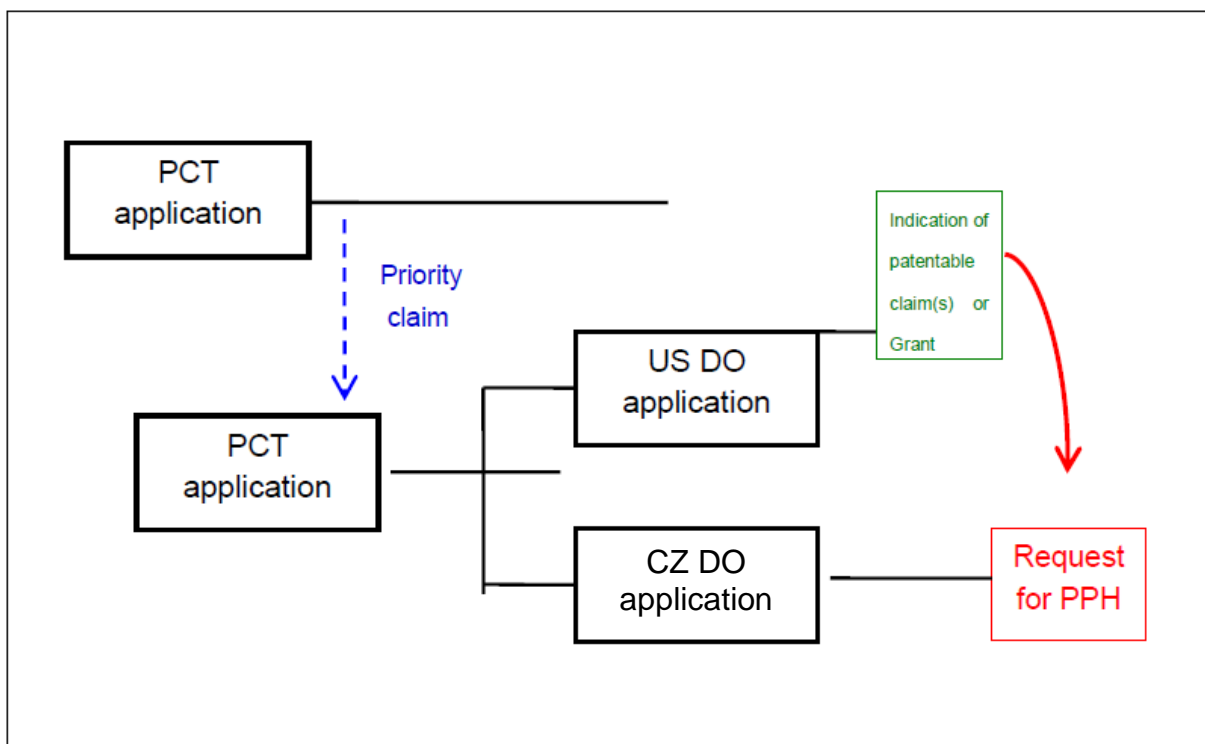


Figure G:

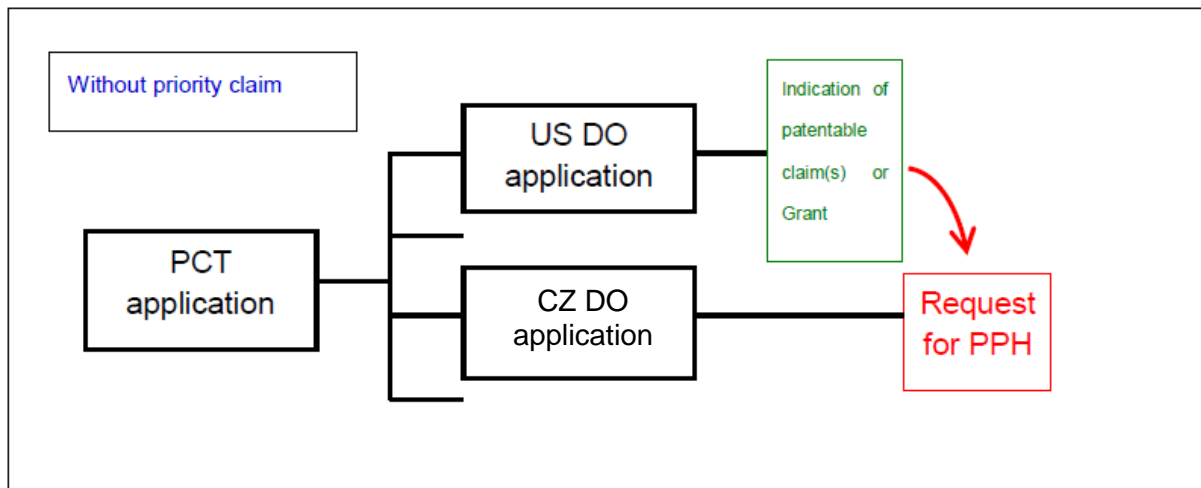


Figure H:

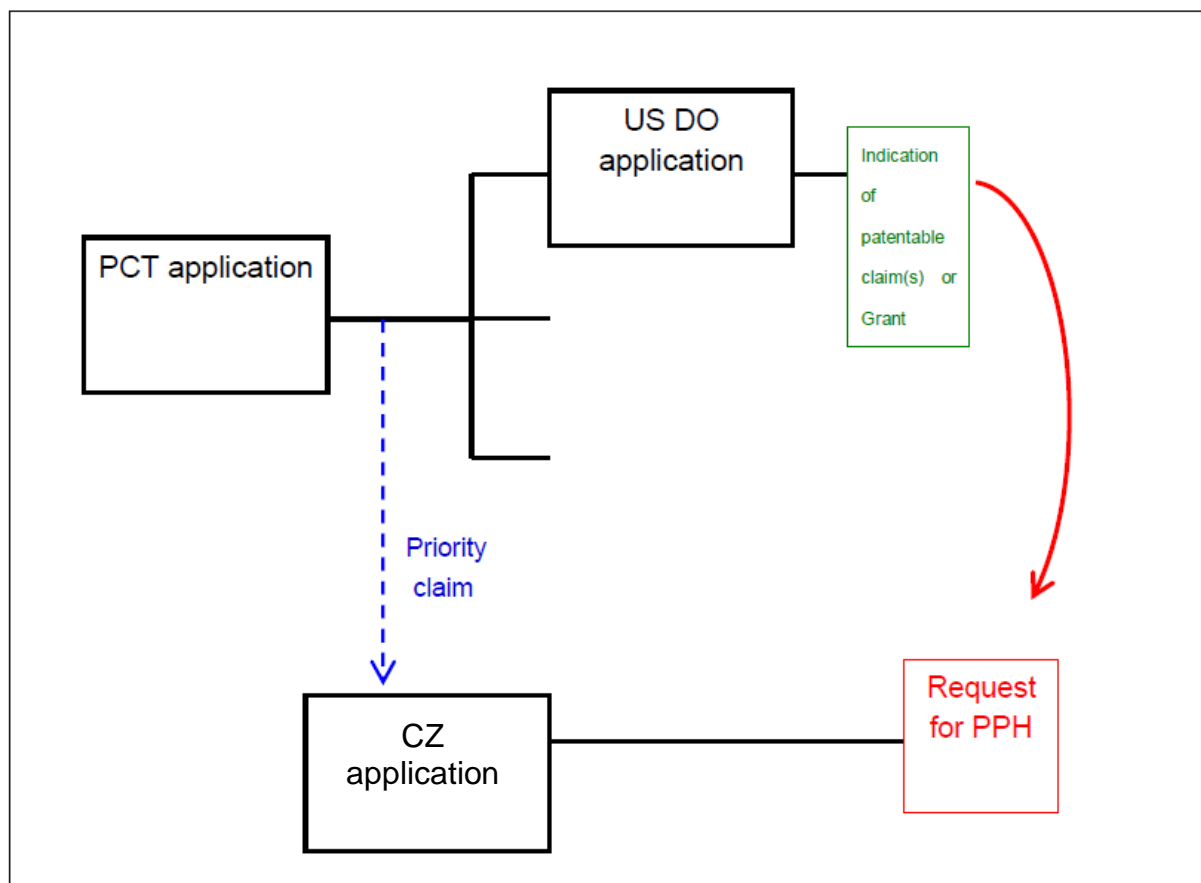


Figure I:

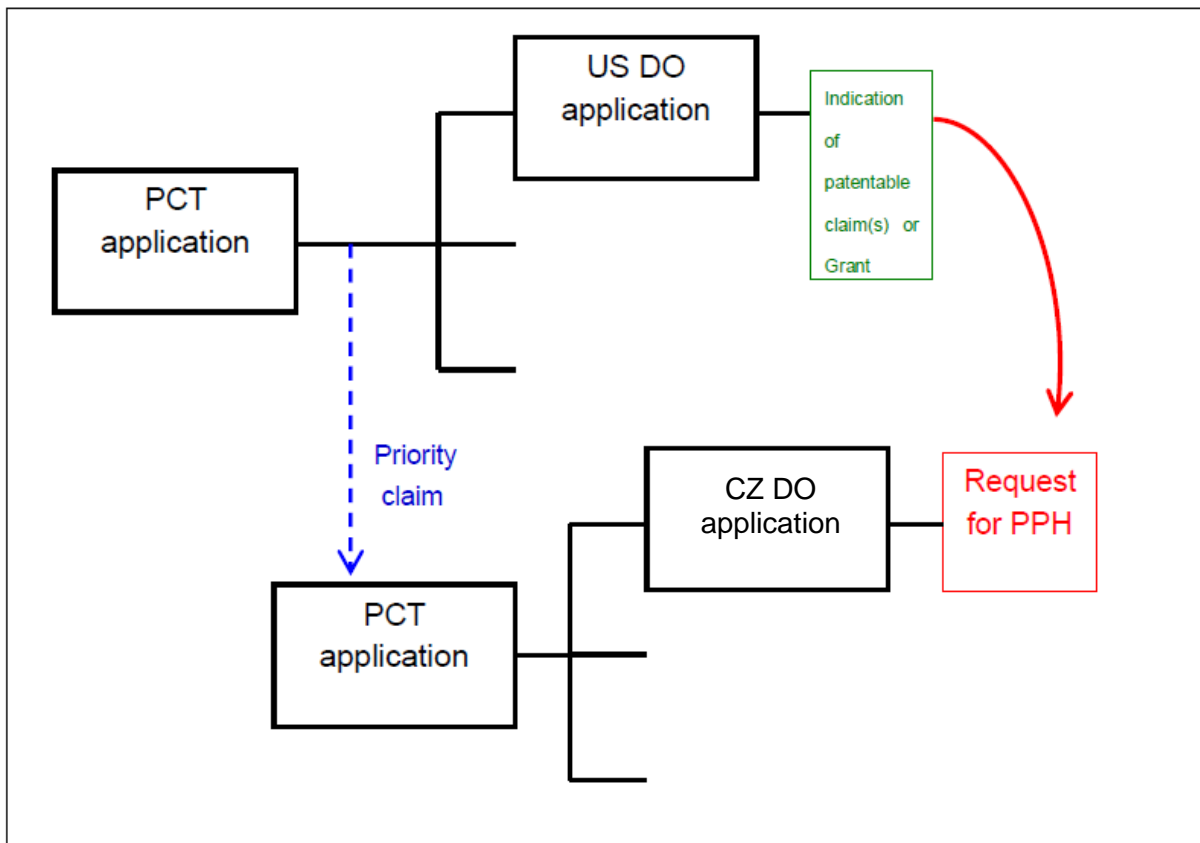


Figure J:

